



CRUISER[®]
ACCESSORIES
#1 IN FRAMES



TABLE OF CONTENTS

ON THE MOVE	3
ADJUSTABILITY	4
ENGINEERED	5
DESIGNER CHROME	6-8
BASIC CHROME	9
DESIGNER BLACK	10
BASIC BLACK	11
BLING	12-13
GRAPHICS	14-15
EMBLEM/LICENSED	16
SPECIALTY FINISH	17
MOTORCYCLE	18-19
COMBOS	20-21
SHIELDS	22
HARDWARE	23-25
3d-Cals™	26-27
DISPLAY RACKS	28-29
WHY CRUISER?	30

RELEASED SEPTEMBER 2015

OUR PHILOSOPHY IS EASY!

E
EXCELLENCE
 Attention to Detail, Efficient & Knowledgeable

A
ACCESSIBILITY
 Real People, Listen, Open Communications

S
SOLUTIONS
 Flexibility, Integrity, Values, Positive

Y
YES
 Relationships, Teamwork, "Can Do!" Attitude

CRUISER IS ON THE MOVE...

Improving our potential and expanding our growth. Years of success, strategic planning and solid growth have resulted from Cruiser's continuous attention to detail and market share growth. Life and business are a journey...and we're glad we're doing it together.



Available Nationally, Expanding Globally.

ADJUSTABILITY

A CRUISER ACCESSORIES INNOVATION



MULTIPLE MOUNTING POSITIONS



PIVOTING FASTENER CAPS*

*UTILITY PATENTED



OPTION A

SKULL & CHAIN

25135 Chrome/Black Patented pg.8

FLIP THE FRAME!
180°



OPTION B



LOOK FOR THIS EXCLUSIVE CRUISER ACCESSORIES LOGO ON THE PACKAGE.

ENGINEERED TO[®]

SHOW MORE PLATE



STAINLESS

21110 Stainless Steel pg.17



BEFORE



AFTER



CHAIN

20530 Chrome pg.8



BEFORE



AFTER

PERIMETER

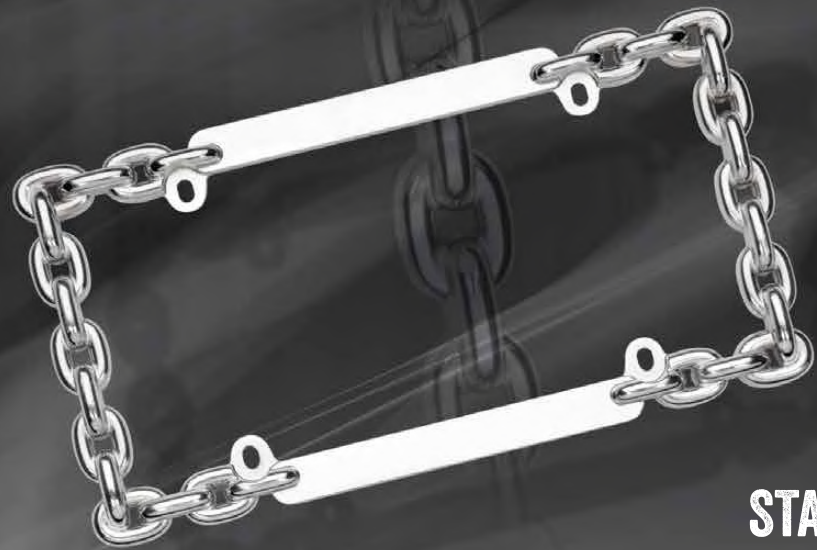
30630 Shown in Chrome pg.9



Plate sits **INSIDE** frame, **SHOWING ENTIRE PLATE!**



- Over 90% of the Cruiser Accessories product line has been "Engineered To Show More Plate".
- Cruiser Accessories offers slotted holes allowing maximum frame adjustability on your vehicle to ensure state names and registration tags are not obstructed.
- Cruiser Accessories offers our Perimeter frame allowing the entire license plate to fit inside the frame.
- We have recently designed a frame where a removable emblem can be installed on top or bottom of the frame allowing maximum plate visibility.



THE FRAME THAT STARTED THE REACTION

PALM TREE
19003 Chrome *Patented*



CHAIN
20530 Chrome



DAISY
19130 Chrome/Painted *Patented*



TWIST
20730 Chrome



TWINS
20230 Chrome



BLADES
22013 Chrome



* All Products Shown in Packaging

TRIBAL II
22135 Chrome/Black *Patented*



EAGLE
22330 Chrome *Patented*



BARBED WIRE II
22230 Chrome



HEART
22436 Chrome/Pink *Patented*



IMMERSION
21535 Chrome/Black *Patented*



CURVE
22735 Chrome/Black *Patented*



GOLF CLUB
19509 Chrome/Painted *Patented*



FLEUR DE LIS

22835 Chrome/Black *Patented*



SKULL & CHAIN

25135 Chrome/Black *Patented*



SKULL & BONE

25231 Chrome *Patented*



SKULL MORPHED

25339 Chrome/Black *Patented*



FIREFIGHTER

30936 Chrome/Black/Red w/fastener caps
Patented



ICHTHUS

29003 Chrome



DIAMOND PLATE

30830 Chrome



BILLET

58350 Chrome/Black



VINTAGE

58463 Red/Chrome w/fastener caps
Patented



NEO

15030 Chrome



NEO SPORT

15130 Chrome



NEO CLASSIC

15330 Chrome



CLASSIC LITE

20030 Chrome



CLASSIC

20130 Chrome



NOUVEAU

20630 Chrome w/fastener caps



NOUVEAU

20643 Chrome Plastic



SLIM RIM

21330 Chrome



PERIMETER

30630 Chrome





HUNTING
19656 Matte Black/Orange w/fastener cap
Patented



DIAMOND PLATE
30850 Matte Black



FISHING
19783 Black Chrome/Chrome *Patented*



DEFENDER
58153 Matte Black/Chrome *Patented*



CURVE
22753 Black/Chrome *Patented*



TWO TONE
63350 Chrome/Black w/fastener caps
Patented



HEART
22456 Glossy Black/Pink *Patented*



NEO
15050 Black



NOUVEAU
20640 Black Plastic



NEO CLASSIC
15350 Black



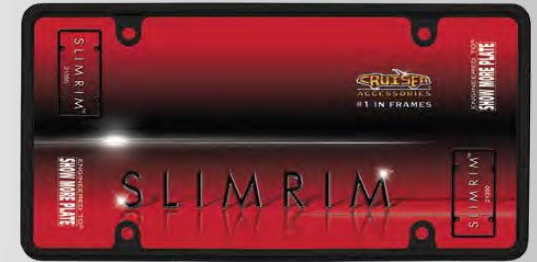
NOUVEAU
20650 Black w/fastener caps



CLASSIC LITE
20050 Black



SLIM RIM
21350 Black



NOUVEAU TWO FRAME VALU-PAK
20642 Black Plastic



PERIMETER
30650 Black



NEO DIAMONDESQUE
15530 Chrome *Patented*



GLITZ™
17533 Chrome/Silver/Clear *Patented*



GLITZ™
17536 Chrome/Pink/Clear *Patented*



DIAMONDESQUE
18130 Chrome/Clear *Patented*



DIAMONDESQUE
18150 Matte Black/Clear *Patented*



DIAMONDESQUE
18156 Matte Black/Pink *Patented*



bling



ZEBRA BLING
18503 Chrome/Clear *Patented*



RETRO POLKA DOT BLING
18536 Chrome/Pink/Black/Clear *Patented*



SNOW LEOPARD BLING
18513 Chrome/Clear *Patented*



RIBBON BLING
18545 Chrome/Black/Clear *Patented*



LEOPARD BLING
18517 Chrome/Gold/Black/Clear *Patented*



QUEEN
22630 Chrome/Clear w/fastener caps *Patent Pending*



BUTTON TUCK BLING
18525 Chrome/Black/Clear *Patented*



PRINCESS
22635 Chrome/Black *Patented*



USA FLAG
23003 Chrome



TRIBAL
23023 Chrome



PAWS
23033 Chrome



BUTTERFLY
23053 Chrome w/fastener caps



ATTITUDES
23073 Chrome w/fastener caps



HIBISCUS
23083 Chrome w/fastener caps



CAMO- GIRL
23093 Chrome w/fastener caps



CAMO
23095 Black w/fastener caps



I LOVE JESUS
23113 Chrome



MEXICO
23103 Chrome



CANADA MAPLE LEAF
23203 Chrome



COMES WITH 4 FASTENER CAPS!

LIVE FOOTBALL™
23303 Chrome w/fastener caps



LIVE SOCCER
23333 Chrome w/fastener caps



LIVE BASEBALL™
23313 Chrome w/fastener caps



LIVE VOLLEYBALL™
23343 Chrome w/fastener caps



LIVE BASKETBALL™
23323 Chrome w/fastener caps



LIVE TENNIS™
23353 Chrome w/fastener caps



CADILLAC

10330 Chrome w/fastener caps
Design & Utility Patented



DODGE

11036 Chrome/Red Utility Patented



MOPAR, DODGE, RAM, and related logos, vehicle model names and trade dress are trademarks of FCA US LLC and used under license by Cruiser Accessories, LLC. © 2015 FCA US LLC



NEO SPORT

15180 Black Chrome



STAINLESS

21110 Stainless Steel



CHEVY

10437 Chrome/Gold Design Patented



RAM

11135 Chrome/Black Design & Utility Patented



MOPAR, DODGE, RAM, and related logos, vehicle model names and trade dress are trademarks of FCA US LLC and used under license by Cruiser Accessories, LLC. © 2015 FCA US LLC



NEO SPORT

15190 Brushed Nickel



RED REFLECTOR II

30436 Red/Chrome



NOUVEAU

20680 Black Chrome w/fastener caps



CARBON FIBER II

58098 Carbon Fiber/Black Chrome



ELITE STAINLESS

21010 Stainless Steel



FIBER

59053 Black/Chrome





Motorcycle

MC NEO
77030 Chrome



MC EAGLE
77023 Chrome Patented



MC NEO CLASSIC
77330 Chrome



MC BARBED WIRE
77430 Chrome



MC NEO
77050 Black



MC TWINS
77930 Chrome



MC NEO CLASSIC
77350 Black



MC DIAMONDESQUE
77730 Chrome/Clear Patented



MC NEO DIAMONDESQUE
77830 Chrome/Clear Patented



MC USA FLAG
77203 Chrome



MC ELITE STAINLESS
77000 Stainless Steel



MC SPIKES
77015 Black/Chrome Patented



MC CARBON FIBER II
77198 Carbon Fiber/Black Chrome



MC NEO CLASSIC
77331 Chrome •Solo para Mexico



MC NEO CLASSIC
77351 Black •Solo para Mexico



MC TUFF BUBBLE SHIELD
77602 Smoke •Solo para Mexico



COMBO

Frame and U.V. Acrylic Bubble Shield

- 60310 Chrome/Clear
- 60320 Chrome/Smoke
- 60510 Black/Clear
- 60520 Black/Smoke



TUF UNBREAKABLE COMBO

Frame and Unbreakable U.V. Polycarbonate Tuf Bubble Shield

- 62031 Chrome/Clear
- 62032 Chrome/Smoke
- 62034 Chrome/Blue
- 62051 Black/Clear
- 62052 Black/Smoke



"LIFETIME GUARANTEE AGAINST BREAKAGE!"

(Excludes bends and scratches)

Please contact Cruiser Accessories (NOT retailer) at 1-800-545-1894 to make arrangements for replacement only. Cruiser Accessories reserves the right to inspect and replace product at its sole discretion. No cash refunds or credits issued.



ULTIMATE TUF COMBO



Includes Frame, Unbreakable U.V. Polycarbonate Tuf Bubble Shield, 2 sets of Locking Stainless Star Pin® Fasteners (Standard & Metric) and 1 set of Fastener Caps

62310 Chrome/Clear



62320 Chrome/Smoke



62510 Black/Clear



62520 Black/Smoke



Legal Disclaimer

Laws concerning shields vary from State/Province to State/Province. Please check your State/Provincial and Local/Municipal Laws and Regulations.

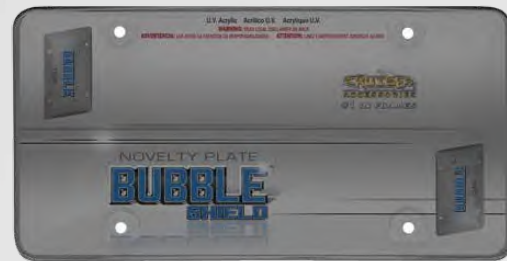
Legal Disclaimer

Laws concerning shields vary from State/Province to State/Province. Please check your State/Provincial and Local/Municipal Laws and Regulations.

BUBBLE SHIELD

U.V. ACRYLIC

72100 Clear
72200 Smoke



TUF UNBREAKABLE BUBBLE SHIELD

UNBREAKABLE U.V. POLYCARBONATE

73100 Clear
73200 Smoke
73400 Blue



DOUBLE BUBBLE VALU-PAK

72101 Clear



TUF UNBREAKABLE FLAT SHIELD

UNBREAKABLE U.V. POLYCARBONATE

76100 Clear
76200 Smoke
76400 Blue



Legal Disclaimer

Laws concerning shields vary from State/Province to State/Province. Please check your State/Provincial and Local/Municipal Laws and Regulations.

SUCTION CUPS

78410 Clear (4) Pack



LICENSE PLATE BRACKET*

79050 Black



MOUNTING PLATE*

79150 Black

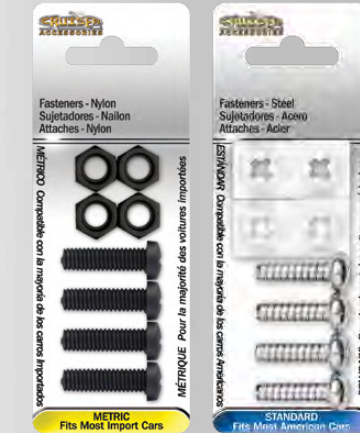


* USE FOR:

- Mounting license plate on new vehicles with contoured bumpers if factory bracket did not come with vehicle.
- Mounting license plate to any trailer.
- Mounting an additional novelty plate to any vehicle.

FASTENERS

80150 Metric-Nylon, Black
80230 Standard-Steel



80330 Metric-Steel

80553 Black Nylon w/chrome fastener caps



80430 Tapping Stainless

80630 Stainless Steel

80733 Anti-Theft



LOCK IT DOWN!

WITH LOCKING FASTENERS**

- Uniquely designed to deter the removal of any Cruiser Accessories license plate frame or plate
- Star Pin® in the center with the special key makes it impossible to remove with a typical Allen wrench
- Locking Stainless Star Pin® fasteners are available for most American and Import vehicles
- Registered trademark on the “Star Pin® Anti-Theft System”

81200 Standard - Stainless Star Pin®
81300 Metric - Stainless Star Pin®



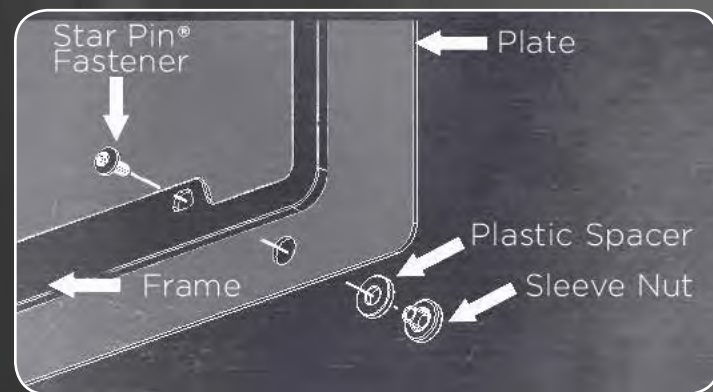
81400 Rattle Stop® - Stainless Star Pin®
Patented



81420 Stainless Rattle Stop® Kit - Standard Patented
81430 Stainless Rattle Stop® Kit - Metric Patented



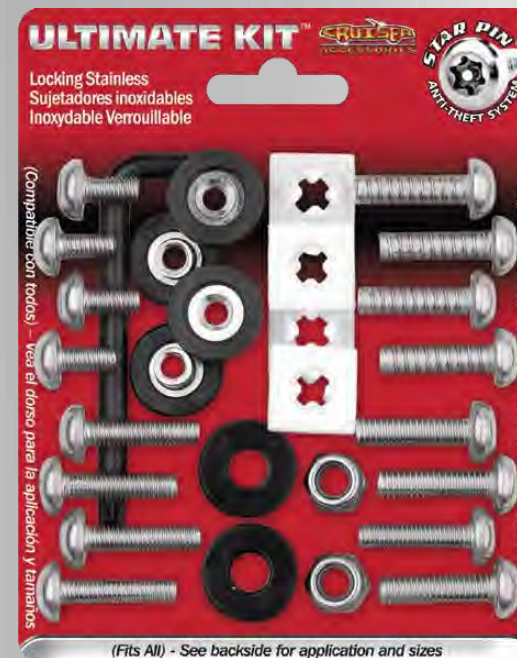
ONLY 2 BOLT HOLES? NO PROBLEM...HOW IT WORKS:



- Prevent rattling with the Rattle Stop® Fasteners
- Securely attaches your license plate and frame together on the lower two bolt holes
- Made of high quality Stainless Steel
- Star Pin® Anti-theft Fastener system
- Registered trademarks on both Rattle Stop® and Star Pin®
- Patented

ULTIMATE KIT

81500 Standard/Metric - Stainless Star Pin® Patented
“One Kit Fits All!”



FASTENER CAPS

82431 Chrome/Clear Pave
82432 Chrome/Smoke Pave
82456 Matte Black/Pink Pave



FASTENER CAPS

82226 Reflector II, Red



82630 Chrome
82650 Black



82300 USA Flag



82730 Diamond Bling



3d-Cals™

83083 AMERICAN FLAG, CHROME



83063 PEACE, CHROME



83303 BUTTERFLY, CHROME



83606 HEART, HOT PINK



83003 HULA FLOPS, CHROME



83033 PLUMERIA, CHROME



83043 SHAKA, CHROME



83103 ICHTHUS, CHROME



83503 CROSS & DOVE, CHROME



83403 ROSE, CHROME



83013 TURTLE, CHROME



83023 HIBISCUS, CHROME



83053 GECKO, CHROME



83203 BIOHAZARD, CHROME



83803 GRENADE, CHROME
Patented



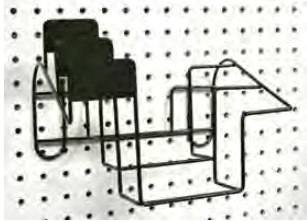
83703 BEAR PAW, CHROME



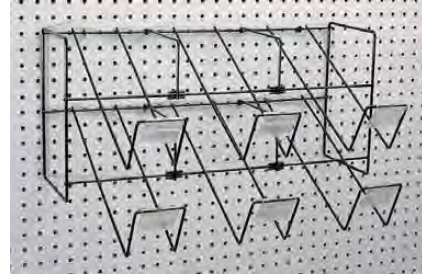
(All 3d-Cals™ shown in package)

DISPLAY RACKS

90035 MOTORCYCLE 3 POCKET, BLACK (WITH METAL TABS)



90600 HORIZONTAL 6 POCKET, BLACK (INCLUDES 6 UPC TABS) *PATENTED*

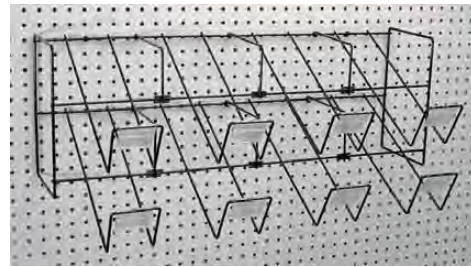


90200 FLOOR STANDING 20 POCKET, BLACK (INCLUDES 20 UPC TABS)



Ideal for use in places with limited available space. The footprint of this rack takes up approximately 2 sq. ft. It will not obstruct the view across your store, as rack height is below eye level. It also features 20 hooks to display fasteners down the side.

90800 HORIZONTAL 8 POCKET, BLACK (INCLUDES 8 UPC TABS) *PATENTED*



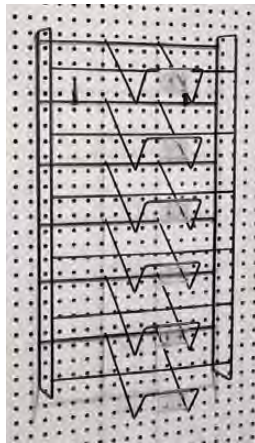
32 POCKET DISPLAY



THE 32 POCKET DISPLAY consists of the following:

- 4 - (90800) Horizontal 8 Pocket, Black
- 1 - (90035) Motorcycle 3 Pocket, Black

90500 VERTICAL 6 POCKET, BLACK (INCLUDES 6 UPC TABS)



ULTIMATE PLAN-O-GRAM FLEXIBILITY

Cruiser Accessories display racks offer you greater flexibility when planning your merchandising layout. Each rack has been designed to work in conjunction with one another. Add racks side by side and one above the other to create a larger display. These patented racks have adjustable pockets which will accommodate any size frame. The adjustable hang hooks are compatible with both pegboard or slat wall fixtures.

56 POCKET DISPLAY



THE 56 POCKET DISPLAY consists of the following:

- 4 - (90800) Horizontal 8 Pocket, Black
- 4 - (90600) Horizontal 6 Pocket, Black
- 1 - (90035) Motorcycle 3 Pocket, Black

(Shown on a standard 48" wide x 60" tall gondola display fixture.)

(Shown on a standard 48" wide x 60" tall gondola display fixture.)

LICENSE PLATE FRAMES.... IT'S WHAT WE DO!

WHY CRUISER?

- Cruiser's meticulous and thorough attention to every detail is one that can be seen and felt
- High quality workmanship, materials and finishes set the standard for the Cruiser line
- Rigorous, thorough testing goes above and beyond industry standards and the competition
- Continuous attention on National laws to ensure Cruiser Frames are compliant and Show More Plate
- International growth in Canada, Mexico, and South America makes Cruiser's market share larger than all competitors combined
- 56% + market share of the available planogram product facings in the Automotive Aftermarket retailers

In 1996, a "big-little company" from Torrance, California placed roots in Monument, Colorado. It began with Paul Spencer in 1985, building his family owned business on integrity, passion and understanding his customer's needs and wants. From there came the manufacturing of the original Chain frame and soon after the Twist. The rest is history and along with his son Todd, the Spencer's have been leading the Automotive Aftermarket in license plate frames to this day.

With Cruiser Accessories primary focus on license plate frames and the help of an experienced innovation team, Cruiser is able to constantly push the creative limits and bring fresh, new and complex designs into the marketplace. As a result, most of our exclusive designs have been granted numerous utility and design patents and registered trademarks, making Cruiser Accessories one of the most highly recognized brands in our industry.

Cruiser Accessories is known for providing one stop solutions. Not only do we have a vast product assortment of license plate frames (everything from classic chrome and basic black to bling and fashion frames), but Cruiser also offers motorcycle frames, license plate brackets, a large hardware assortment, shield options and 3d-Cals™. Strategic colorful packaging helps guide the customer to their purchase decision.

In addition, Cruiser can organize your merchandising layout! Our patented space saving display racks offer greater plan-o-gram flexibility. Each rack is designed to work in conjunction with one another. Add racks side by side and/or one above the other to create a larger display. All racks have adjustable pockets which will accommodate any size frame. The moveable hooks are compatible with both pegboard or slat wall fixtures. We also offer a 20 pocket stand alone floor rack which adds even more options.

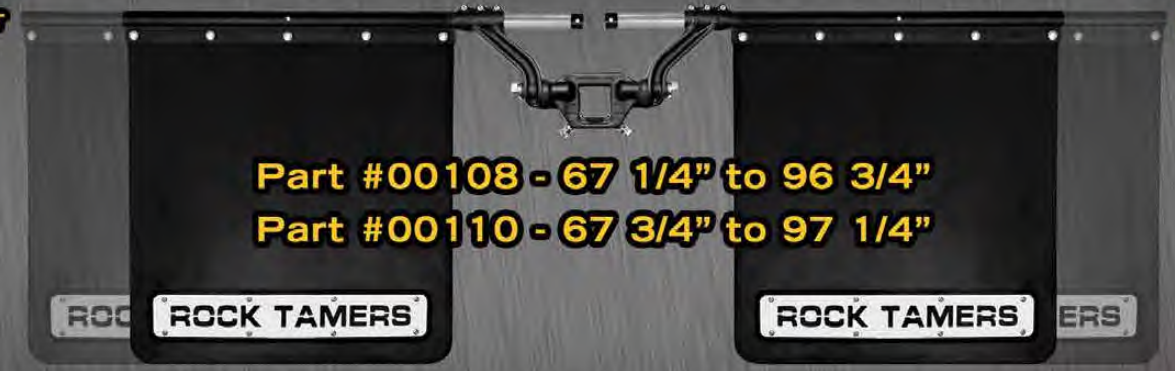


19475 Beacon Lite Rd. Monument, CO 80132
Phone: (719) 481-0407 | Fax: (719) 481-0626 | toll free: (800) 545-1894
www.cruiserframes.com

PART #00108
Rock Tamer 2" Hub
Mudflap System
Matte Black
w/ Stainless Steel Trim Plates

PART #00110
Rock Tamer 2.5" Hub
Mudflap System
Matte Black
w/ Stainless Steel Trim Plates

PART #00108 FITS 2" BALL MOUNT **ADJUSTABLE TO FIT MOST VEHICLES** **PART #00110 FITS 2 1/2" BALL MOUNT**



- > UV PROTECTED FORGED ALUMINUM HUBS & ARMS
- > 3/8" THICK 24" WIDE FIBER REINFORCED RUBBER MUDFLAPS
- > STAINLESS SLEEVED STEEL RODS, STAINLESS STEEL & CHROME PLATED HARDWARE



PART #00400 STAND REQUIRES STANDARD 2" BALL MOUNT FOR DISPLAY (Not Included)



Center Hub Requires Minimum 1" Clearance

ROCK TAMERS®

MUDFLAP SYSTEM



EASY ON AND OFF!



USE IT WHEN YOU'RE TOWING
TAKE IT OFF WHEN YOU'RE NOT



PROTECT WHAT YOU TOW!

FROM ROCKS,
MUD, DEBRIS
& ROAD TAR



WWW.ROCKTAMERS.COM
1-800-545-1894

ROCK TAMERS LLC 19475 BEACON LITE RD.
MONUMENT, CO 80132



© 2016 CRUISER ACCESSORIES

